

KIT X-STRONG KIT X-STRONG

COD. 500001794 REV.3

ACERBIS PARTS



A - (2 PCS)



B - (2 PCS)



C - (4 PCS)



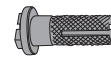
D - (4 PCS)



E - (4 PCS)



H - (2 PCS)



I - (2 PCS)



L - (2 PCS)

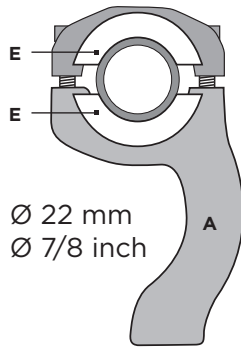
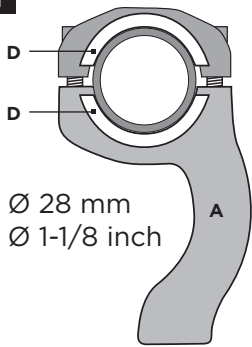


F - (2 PCS)



G - (2 PCS)

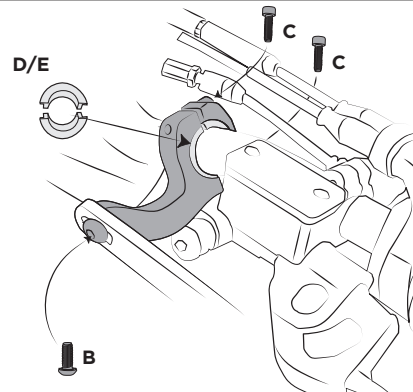
1



In case of handlebars with a diameter of either 22 or 28 mm, insert the reductions as shown in figure.

Nel caso di manubri con diametro 22mm o 28 mm inserire le riduzioni indicate.

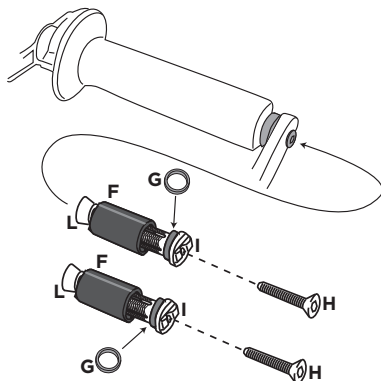
2



If necessary, insert the reductions (E)/(D) in the bracket (A); then tighten it on the handlebar using the bolts (C). Secure the bracket to the bar using the bolt (B).

Inserire nel bracciale (A) se necessario, le riduzioni (E)/(D) e montarlo sul manubrio tramite le viti (C) e serrare. Fissare bracciale alla barra tramite vite (B).

3



Insert the bolt (H) inside the handguard bar, the expander (I) and the insert (L). Choose the correct angle of the handguard, then tighten the bolt (H). IN CASE OF STEEL HANDLEBARS use the rubber ring (G) and the metallic ring (F) on the expander (I).

Inserire la vite (H) attraverso la barra, l'expander (I) e l'inserto (L). Dopo aver scelto la giusta inclinazione, stringere la vite (H). IN CASO DI MANUBRI IN ACCIAIO utilizzare attorno all'expander (I) la gomma (G) e l'anello metallico (F).

WARNING!

Follow mounting instruction exactly. Ensure that the mounting is secured before riding. These handguards will not prevent injury in the event of a crash. They are designed to protect the hands from cold weather. Be sure that you follow the instructions for mounting the handguards. Do not ride with a broken tie wrap. Check that the throttle and other controls are free every time you ride. Failure to heed instruction and this warning could lead to interference with the controls, loss of control of the motorcycle, and accidents.

EUROPE

ACERBIS ITALIA S.P.A.
VIA SERIO, 37
24021 ALBINO (BG)
ITALY

U.S.A.

ACERBIS U.S.A. INC.
MAIL P.O. BOX 2030
SUN VALLEY, ID 83353
SHIP 110 LINDAY CIRCLE
KETCHUM, ID 83340
U.S.A.

UNITED KINGDOM

ACERBIS U.K LTD
UNIT 2 LUTON ENTERPRISE PARK
SUNDON PARK ROAD
LUTON, BEDFORDSHIRE LU3 3GU
GREAT BRITAIN